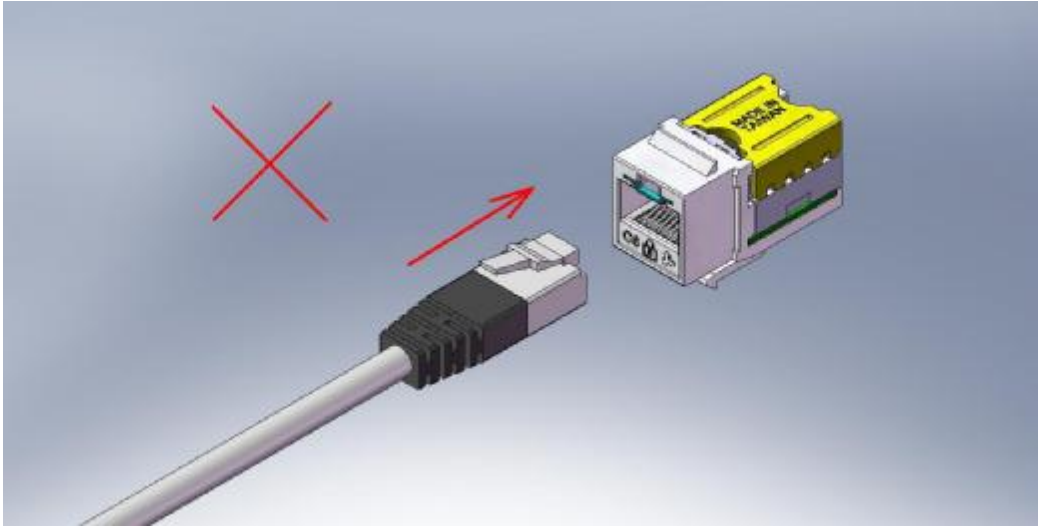
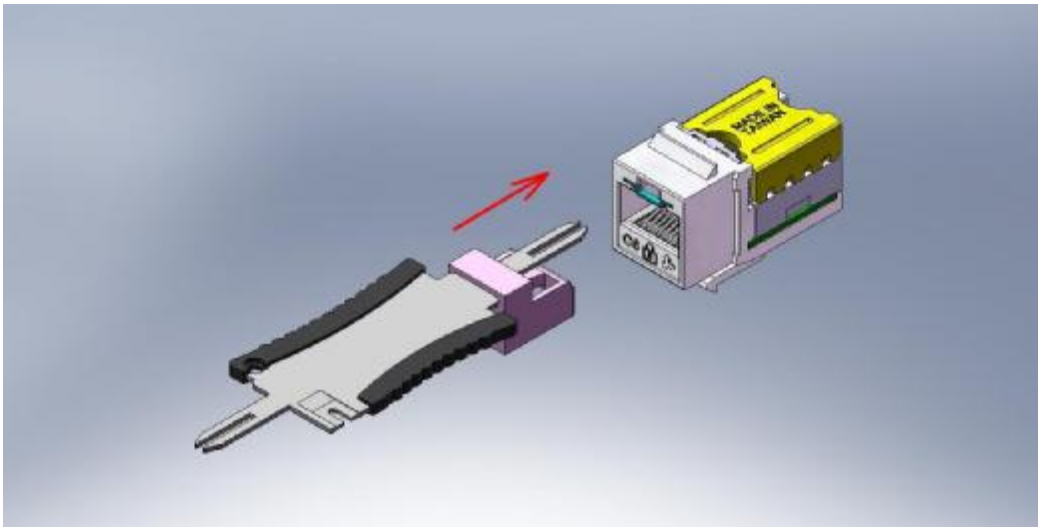


Locking Jack Instruction Manual

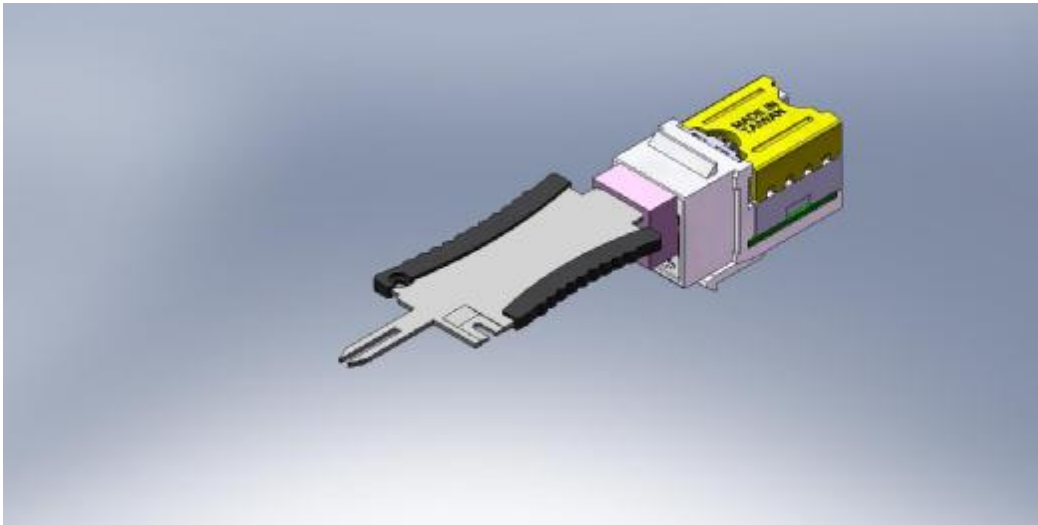
A. *TO INSERT THE PLUG*



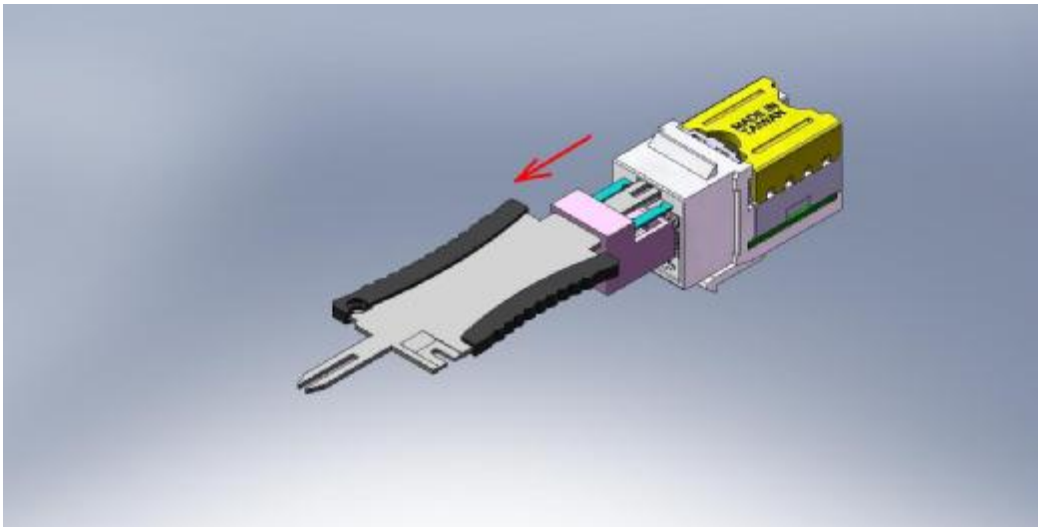
Step1: The RJ-45 plug cannot be inserted without first unlocking the lock bar in the jack using the locking jack key.



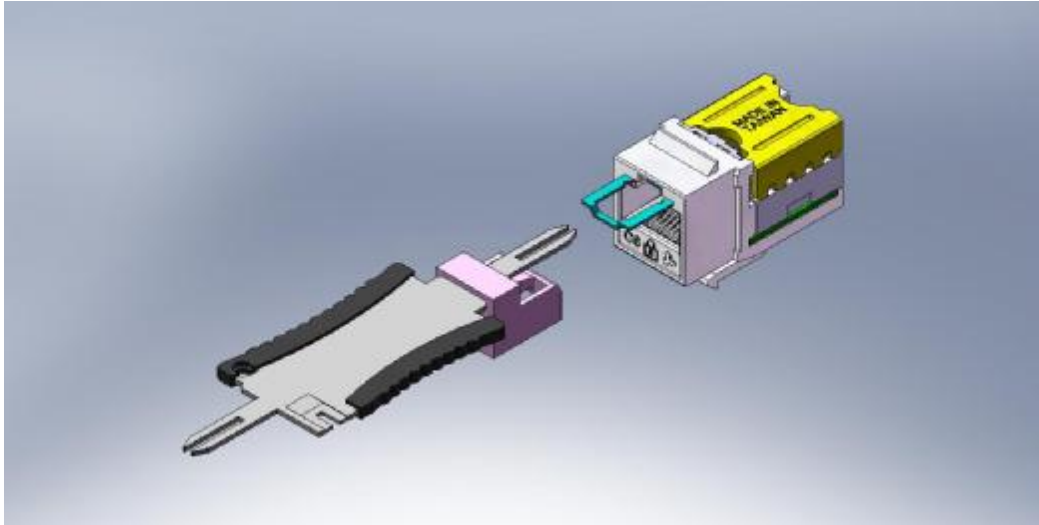
Step2: To unlock the lock bar, insert the key using the plug mold side and lining up the pronged metal tab into the slot above the lock bar.



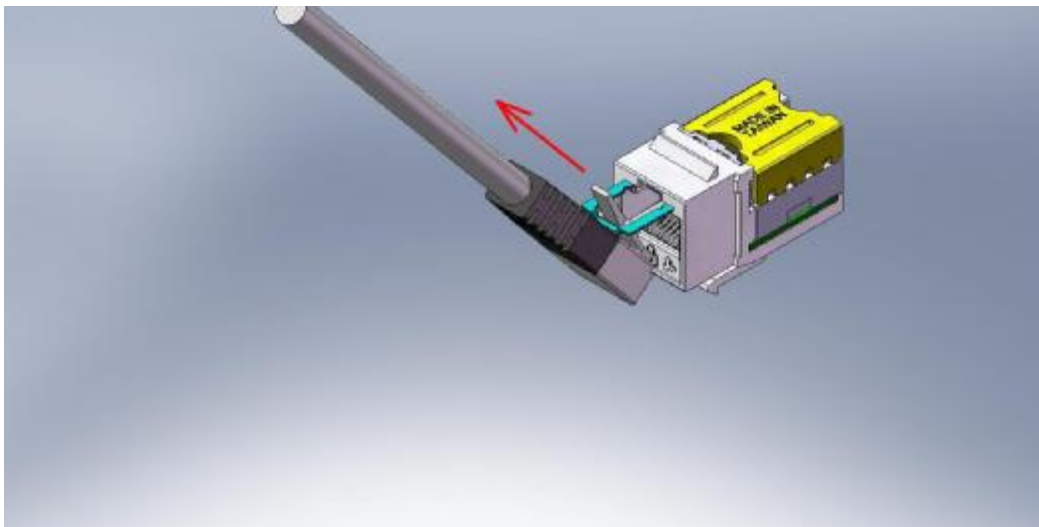
Step3: Insert the key all the way in until it stops.



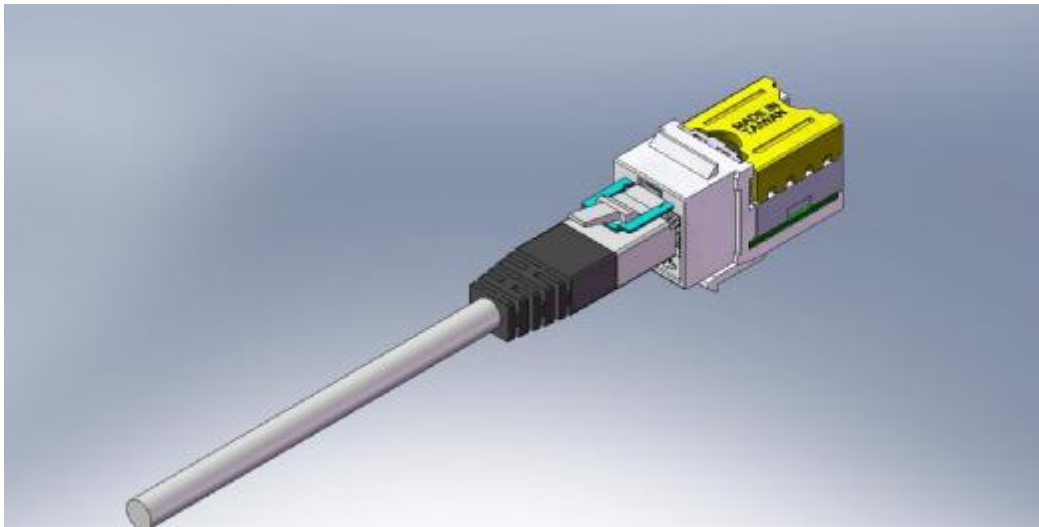
Step4: Pull out the key and the lock bar will release outwards into an unlocked and open position.



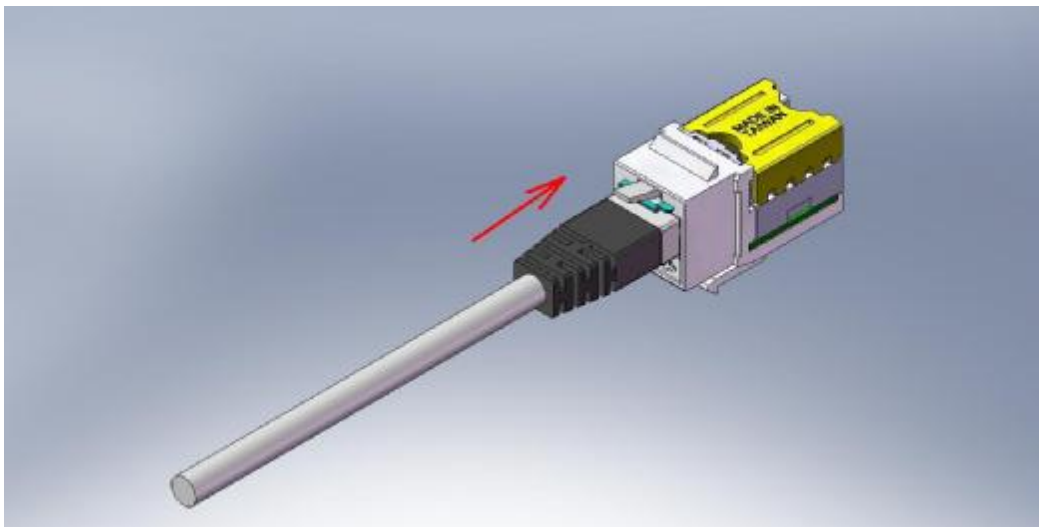
Step5: Remove the key. Now the jack is ready for insertion of the patch cord plug.



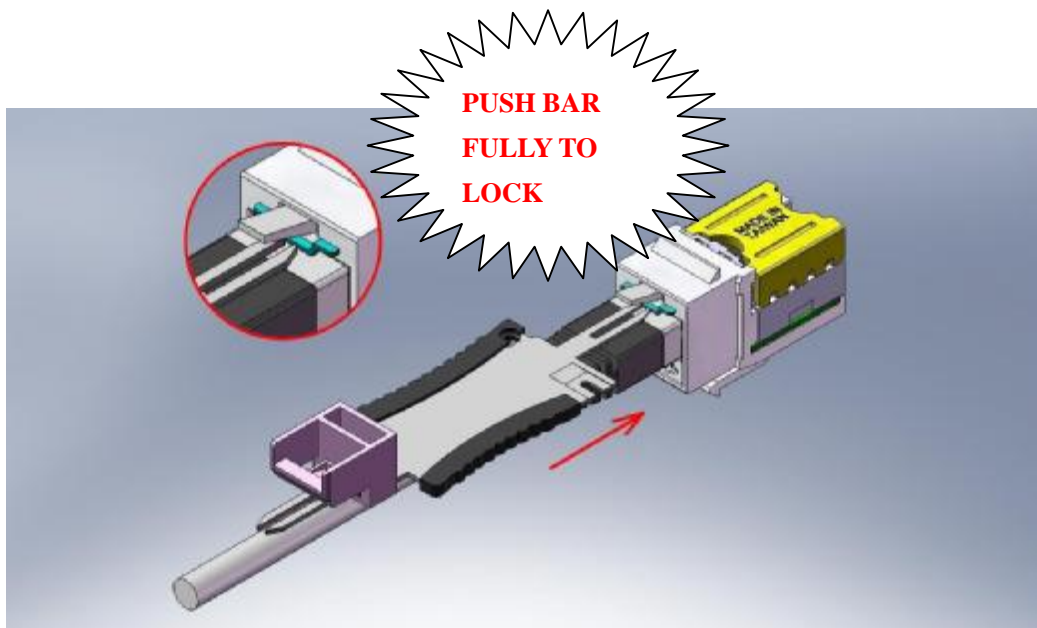
Step6: Slide the plug clip under and around the lock bar. Note: If using a booted plug, just gently peel back the bubble of the tab until it is uncovered.



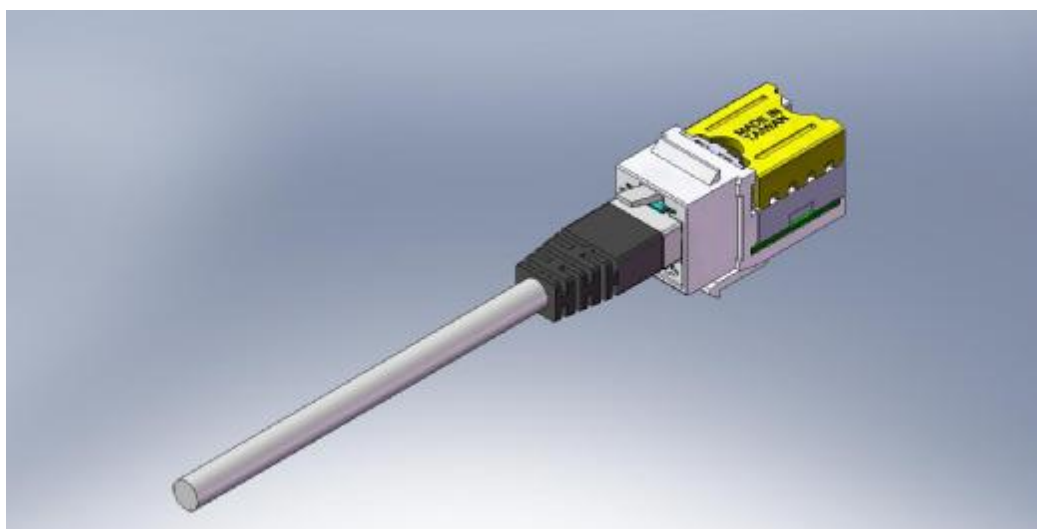
Step7: **Line up the plug with the jack.**



Step8: **Insert the plug into the jack.** *Note: At this position, the plug is not yet locked. This is to allow testing and troubleshooting without the need to lock and unlock repeatedly.*

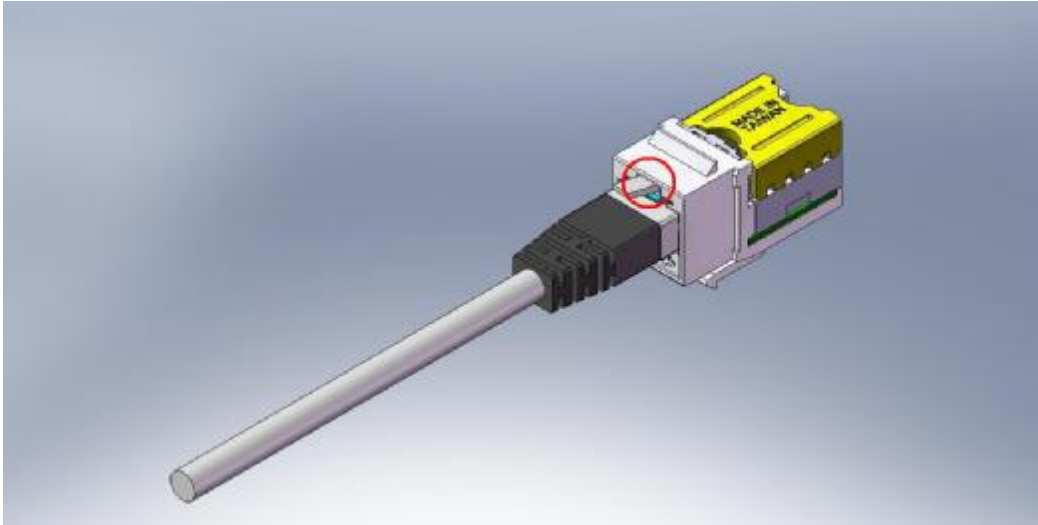


Step 9: Push the lock bar in fully to lock the plug into position.

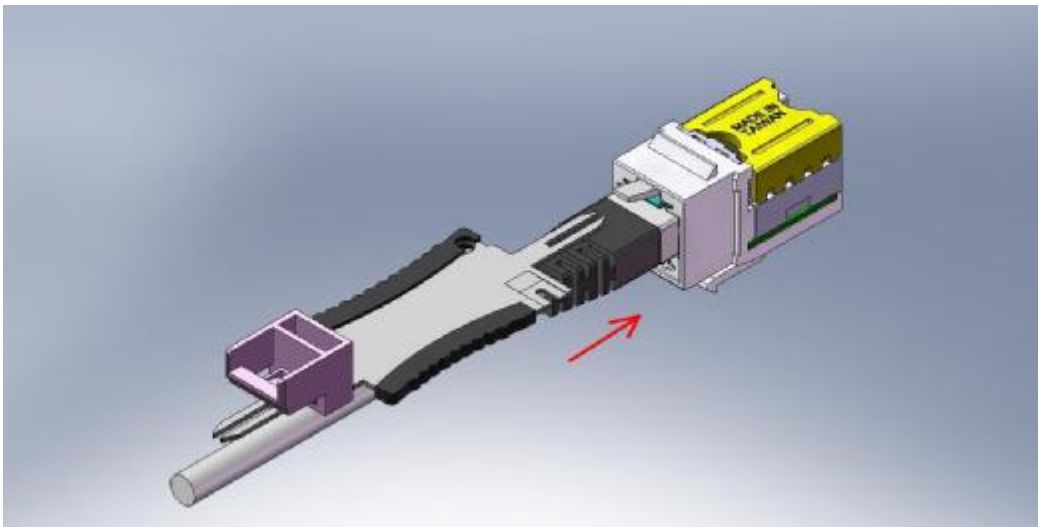


Step 10: Once the lock bar has been pushed in, the plug cannot be removed.

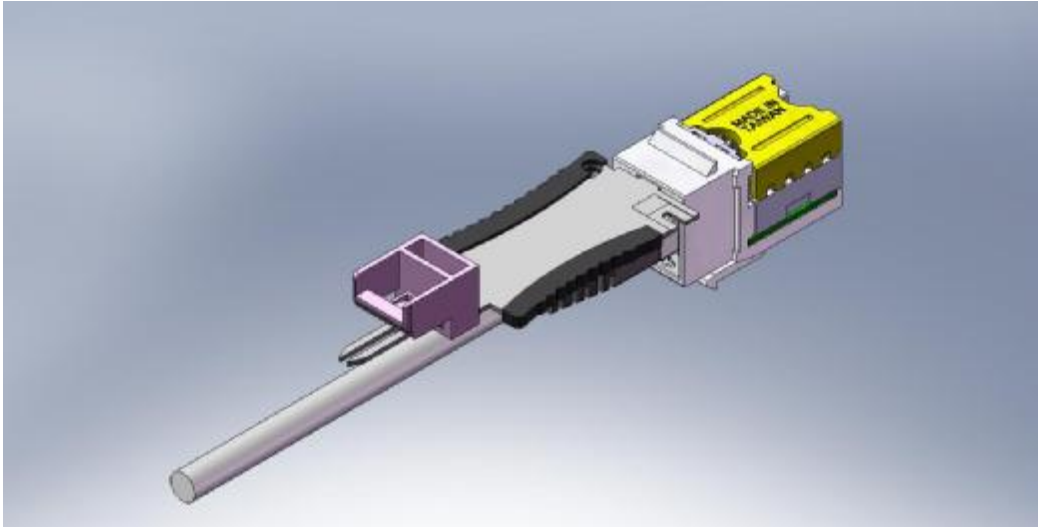
B. To Remove the Plug



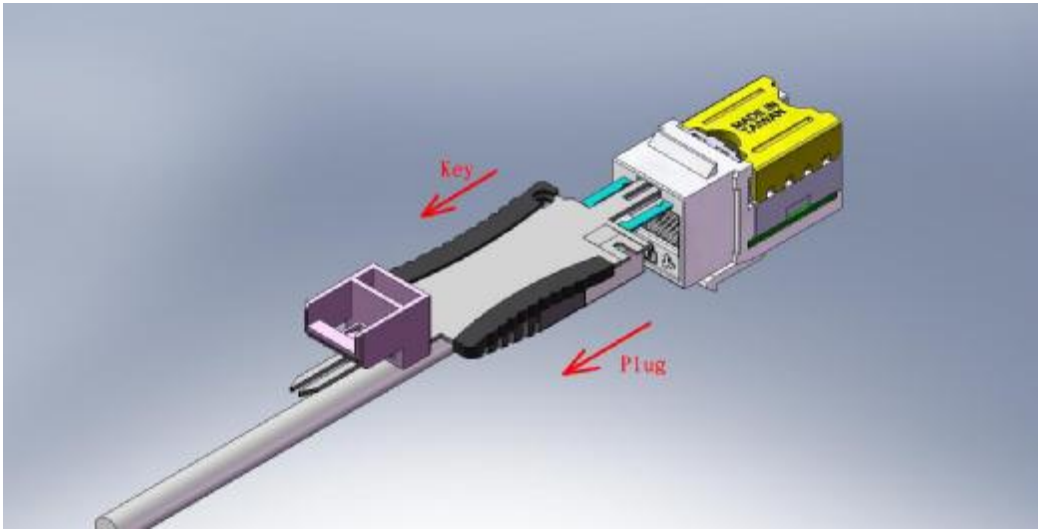
Step1: When the plug tab is pressed, you will notice a slight gap between the tab and the locking jack body. This is where the other end of the lock tool is to be inserted for removal of the plug.



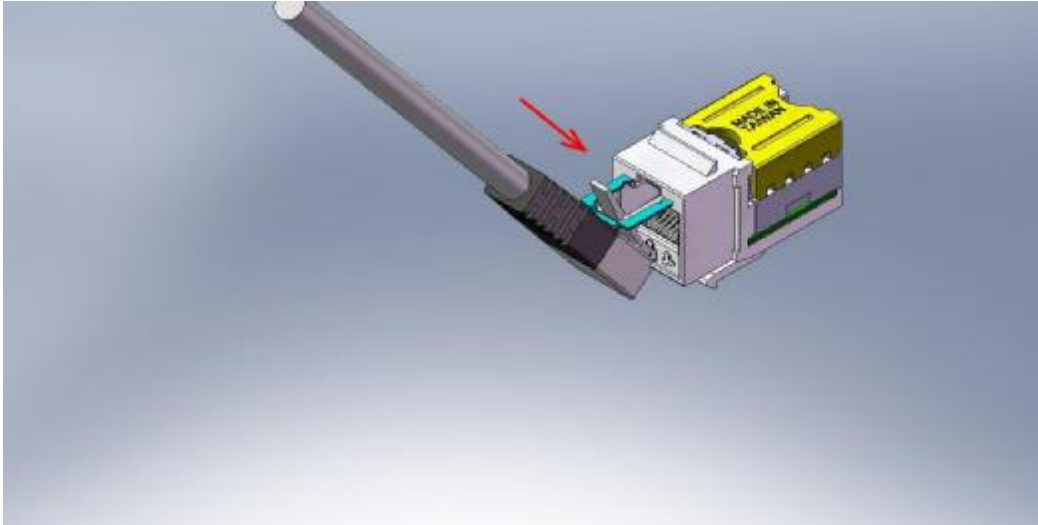
Step2: To unlock the jack, press down on the lock tab and prepare to insert the end of the tool opposite the end with the plug mold. Insert the pronged metal tab into the slot between the plug tab and the jack body.



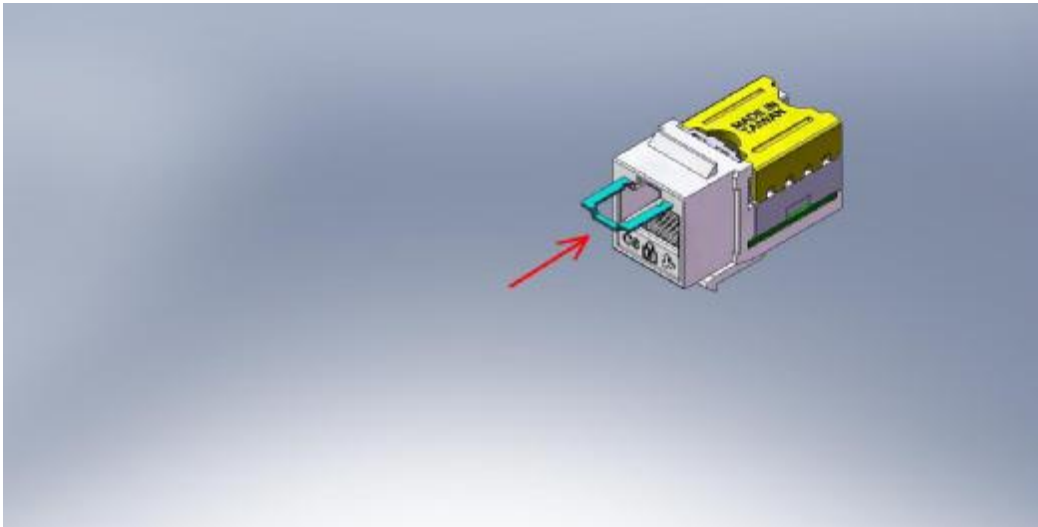
Step3: Fully insert the key into the gap until it stops.



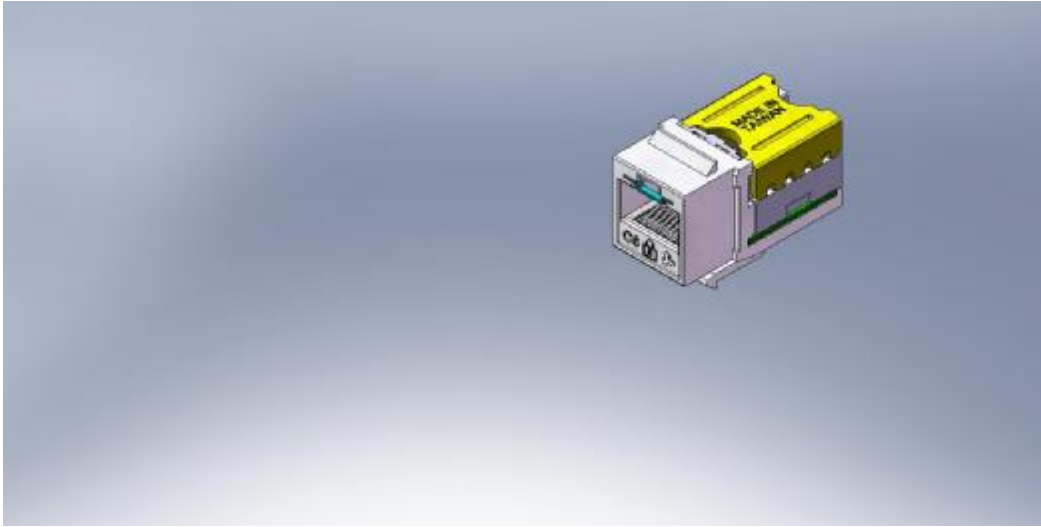
Step4: While pressing down on the key, pull out the key and the plug at the same time.



Step5: Remove the plug from the lock bar.



Step6: Push the lock bar fully into the body of the locking jack in the locked position to prevent unauthorized connections.



Step7: **The locking jack is now secure.**